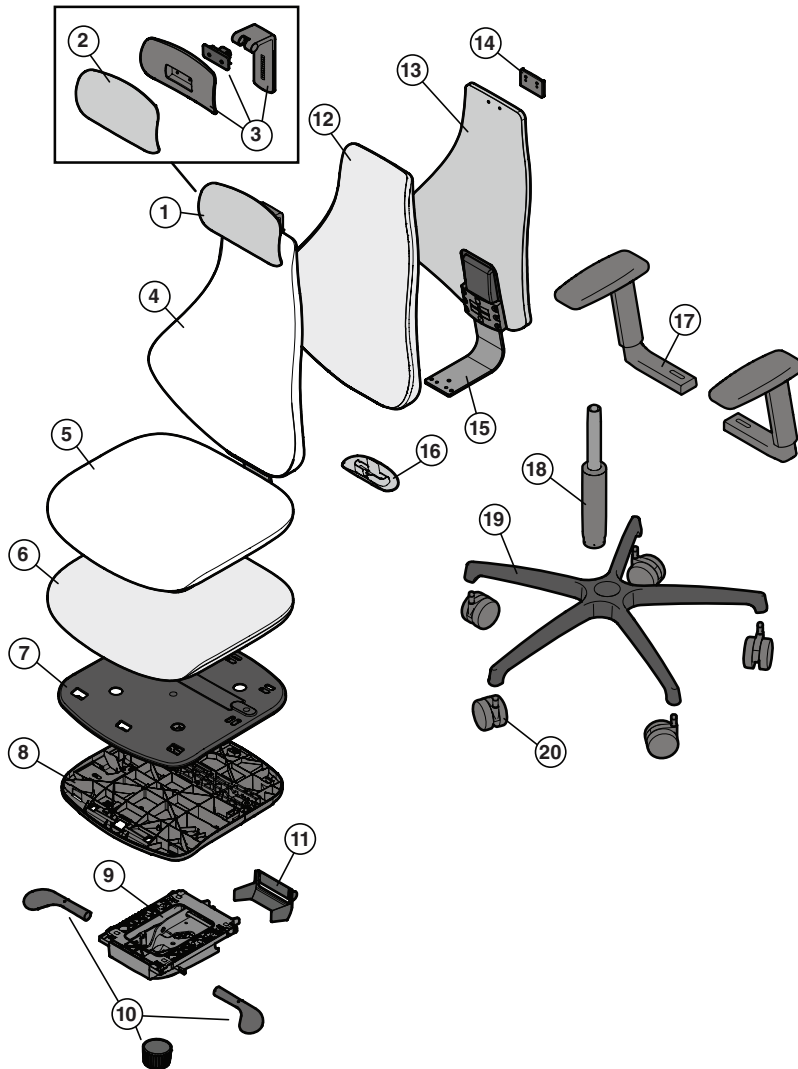


PARTS DIAGRAM AND MATERIALS

Part no.	Description	Material	
1	Neck rest cover PU	PU	Plastic
2	Neck rest padding	PU	Plastic
3	Neck rest mechanism	PP	Plastic
4	Backrest cover foam	PU	Plastic
5	Seat cover foam	PU	Plastic
6	Seat foam padding	PU	Plastic
7	Seat shell	PP	Plastic
8	Seat shell	PP	Plastic
9	Seat mechanism	Aluminium	Metal
10	Adjustment knobs/handles	PA	Plastic
11	Cover	PP	Plastic
12	Backrest foam padding	PU	Plastic
13	Backrest shell	Plywood	Wood
14	Neck rest fixing plate	PP	Plastic
15	Backrest fixing plate	Steel	Metal
16	Cover	PP	Plastic
17	Armrest (pair)	PA	Plastic
18	Gas cylinder	Steel	Metal
19	Wheelbase	PA	Plastic
20	Wheels	PP	Plastic

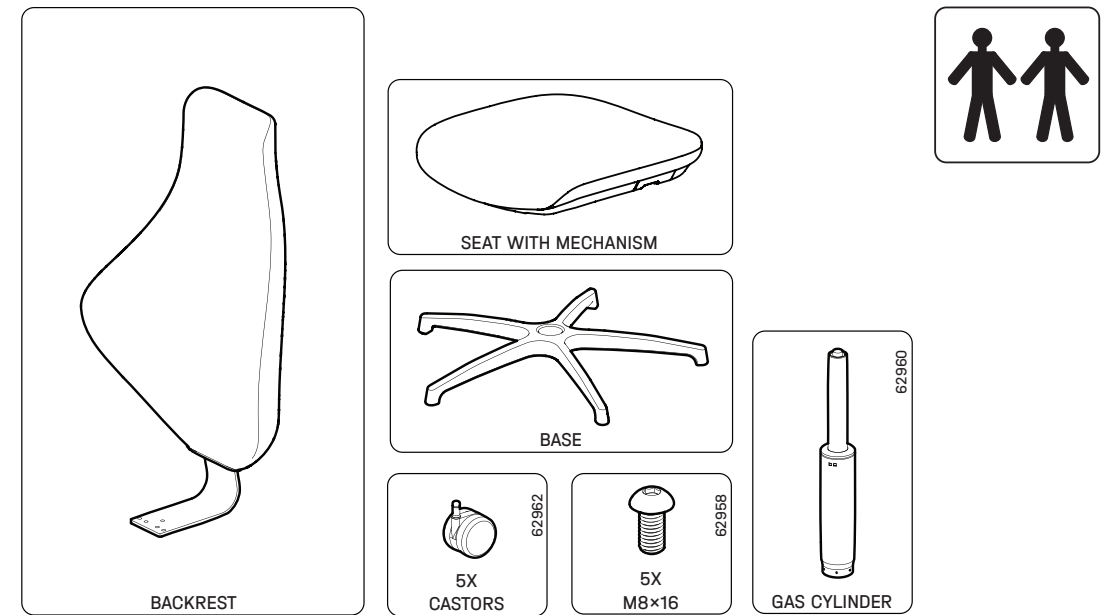


HURRAY  
Assembly guide

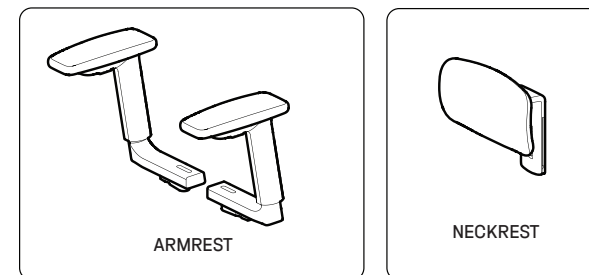


AJ-A-1059  
V1.2 2024-06-26

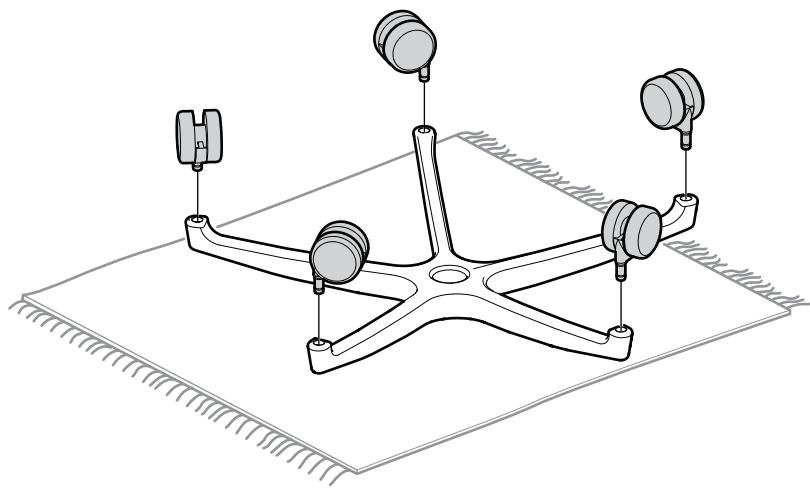
PACKAGE CONTENTS



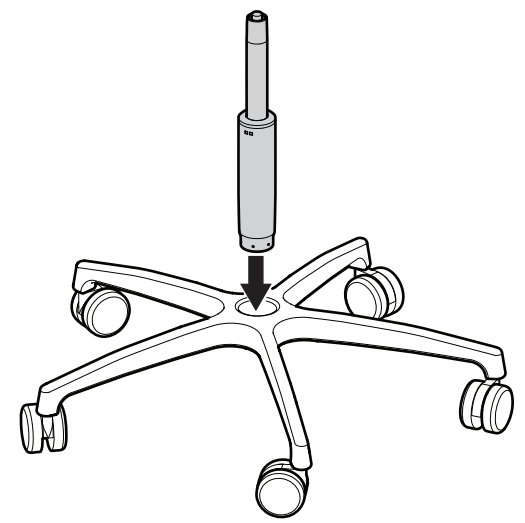
OPTIONAL ACCESSORIES



1

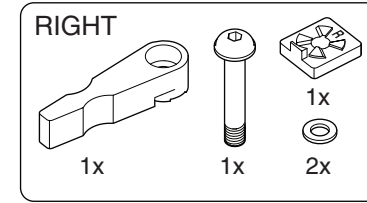
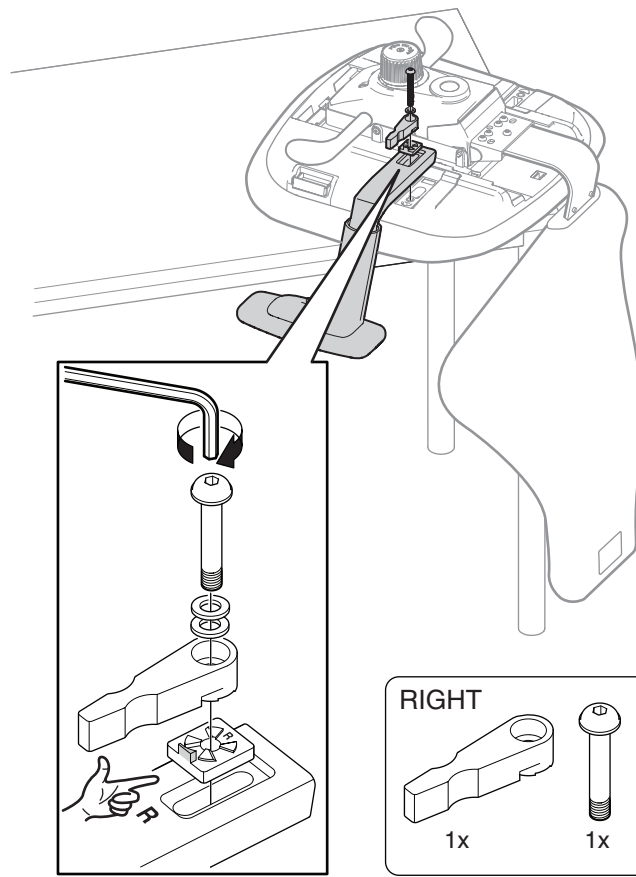


2



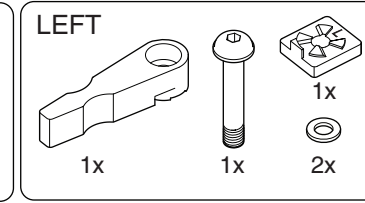
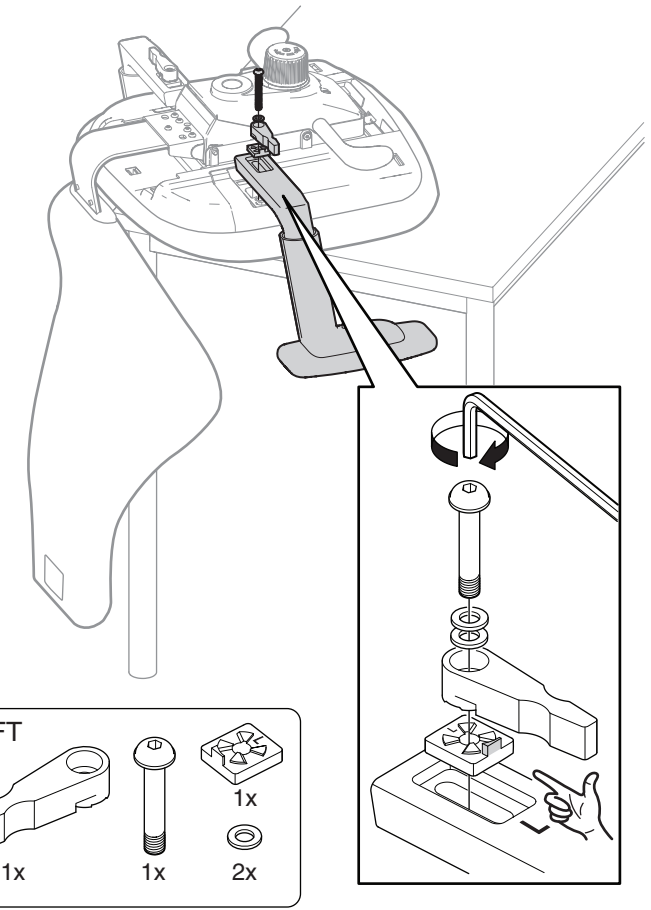
4

OPTIONAL  
ARMREST ASSEMBLY - RIGHT

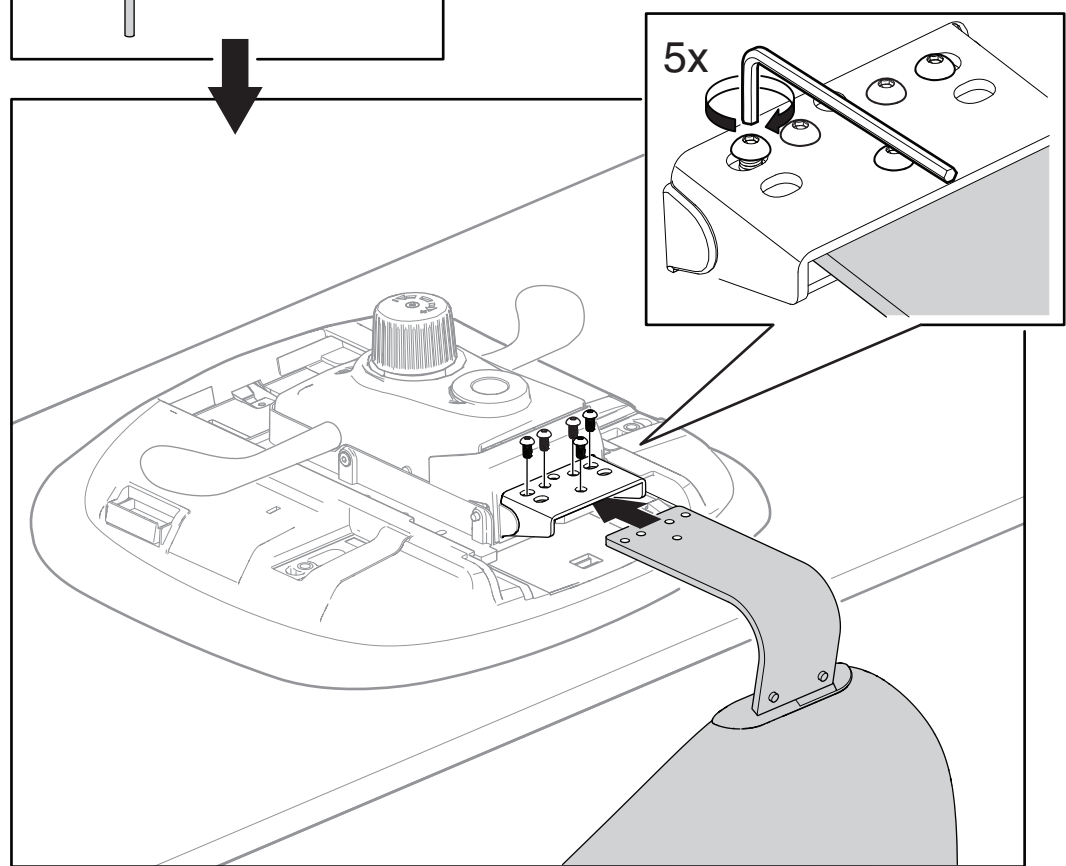
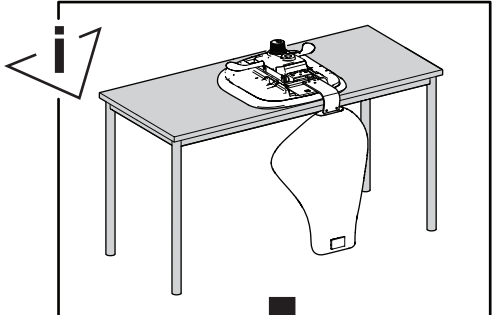


5

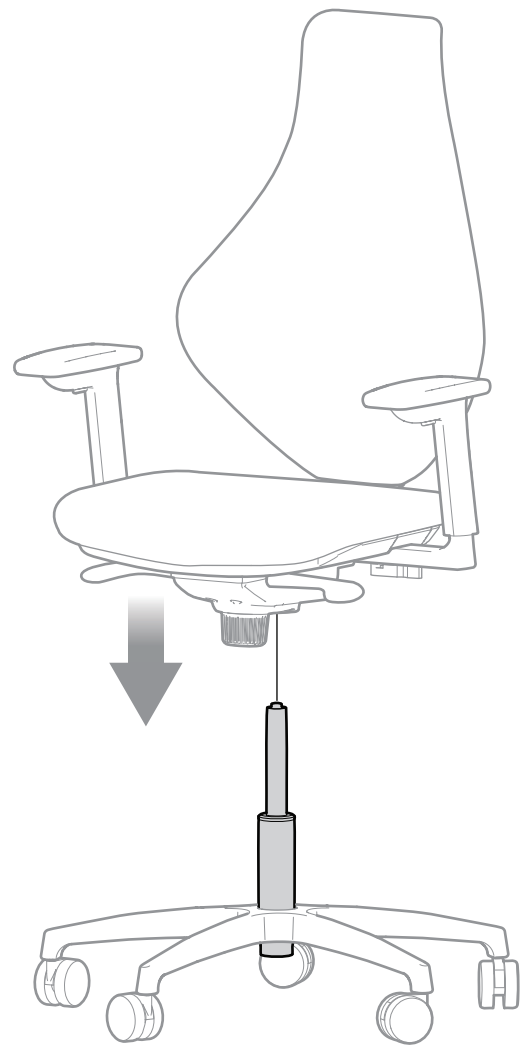
OPTIONAL  
ARMREST ASSEMBLY - LEFT



3

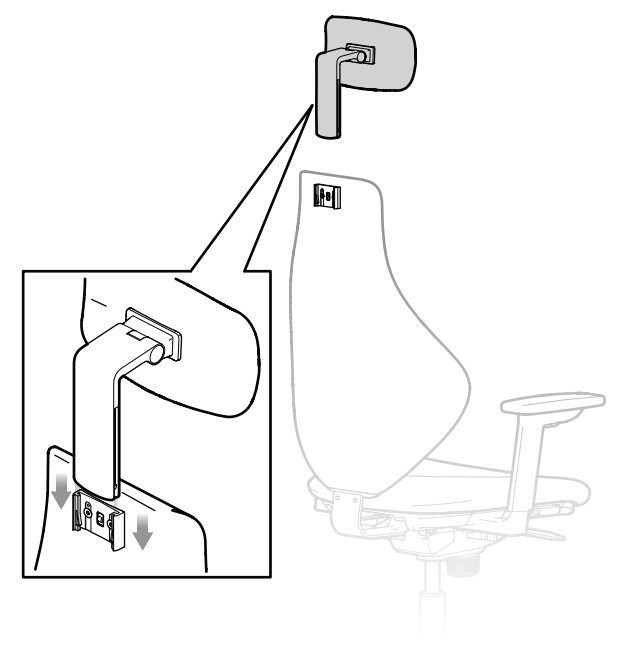


6



7

OPTIONAL  
NECKREST ASSEMBLY



**i** The fabric cover on this chair is washable. Please follow the care instructions label on the cover for guidance.  
Additionally, you can find the product disassembly instructions on our website: [www.ajproducts.com](http://www.ajproducts.com)